

APPLICATION :

These Eyelets are used in Banners, House Hold Tarpaulins.

METAL:

Steel, Brass

FINISH:

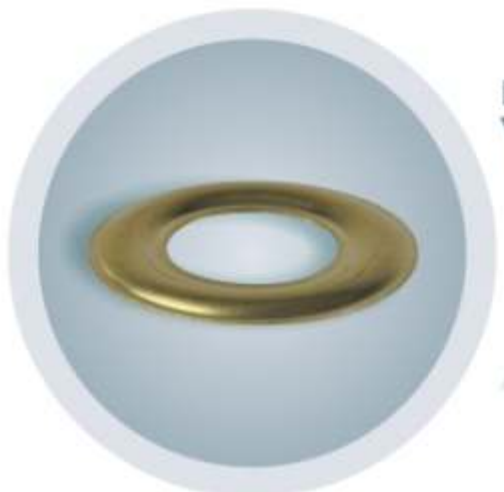
Nickel, Brass, Natural, Zinc

STARTING METAL THICKNESS:

0.30,0.25,0.35mm

SHEET EYELETS

PRODUCT	O.D	HOLE	FLANGE DIA.	T.HT
½" TE	13.5	12.2	26.7	8.5
3/8" TE	10.0	9.2	20.3	6.5
1/4" TE	7.0	6.0	13.5	5.0



FLAT WASHER FOR SHEET EYELETS

PRODUCT	O.D	HOLE DIA.
½" FW	26.8	13.8
3/8" FW	18.0	10.3
1/4" FW	13.8	7.3



Self Pierce

EYELETS

APPLICATION :

Eyelets for Banners, Tarpaulins.

These Eyelets do not require the material to be pre punched.

METAL:

Steel, Brass

FINISH:

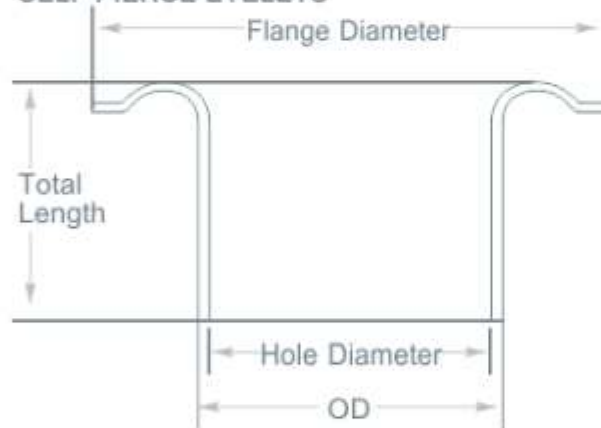
Nickel, Brass, Natural, Zinc

STARTING METAL THICKNESS:

0.30,0.25,0.35mm



SELF PIERCE EYELETS



FLAT WASHER FOR SELF PIERCE EYELETS



SELF PIERCE EYELETS



PRODUCT	28 No. SE	24 No. SE
O.D	12.3	10.0
HOLE DIA	11.5	9.2
FLANGE DIA	24.5	20.5
T.H.T	6.5	6.0

FLAT WASHERS FOR SELF PIERCE EYELETS



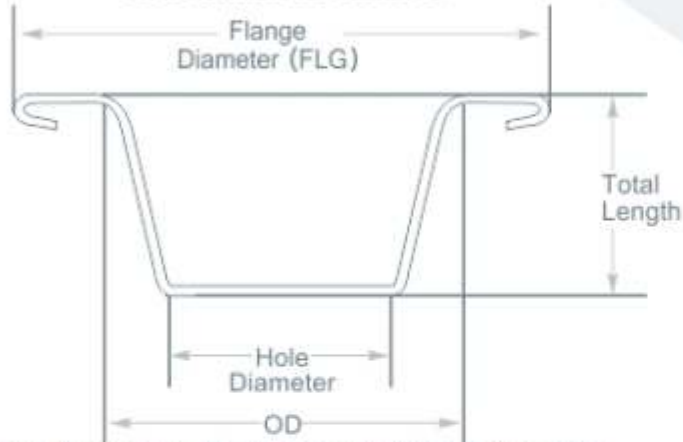
PRODUCT	28 No. FW	28 No. FW
O.D	24.5	13.5
HOLE DIA	20.5	10.5
FLANGE DIA		
T.H.T		



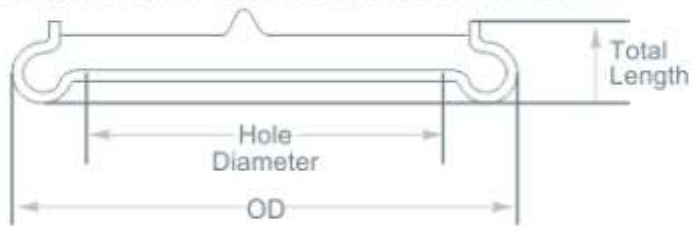
Grommet

EYELETS & WASHERS

GROMMET EYELETS



SPUR WASHER FOR GROMMET EYELETS



APPLICATION :

Grommets where the heavy Strength is required in Tarpaulin, Bags, Banners Etc.. These Eyelets do not require the material to be pre punched.

METAL:

Steel, Brass

FINISH:

Nickel, Brass, Natural, Zinc

STARTING METAL THICKNESS:

0.35,0.45mm

Grommet EYELETS



PRODUCT	18 No. TE	20 No. TE	24 No. TE	28 No. TE	30 No. TE	35 No. TE	38 No. TE
O.D.	8.0	10.0	12.0	15.0	18.0	21.0	23.0
Hole Dia	7.0	8.5	9.5	11.5	14.5	15.5	20.5
Flange Dia	14.2	17.0	19.2	23.2	28.2	34.5	38.5
T.HT.	5.5	6.5	7.0	9.0	9.5	38.5	13.5

Spur Washer for Grommet

EYELETS



PRODUCT	18 No. TE	20 No. TE	24 No. TE	28 No. TE	30 No. TE	35 No. TE	38 No. TE
O.D.	14.0	16.5	20.0	24.0	28.2	33.0	38.0
Hole Dia	8.2	10.5	12.0	12.0	17.5	19.0	23.0
T.H.T.	4.0	4.0	4.0	4.0	5.0	5.0	6.0

Tarpaulin

EYELETS

APPLICATION :

Eyelets for Plastic Tarpaulin, Canvas Tarpaulin etc.

METAL:

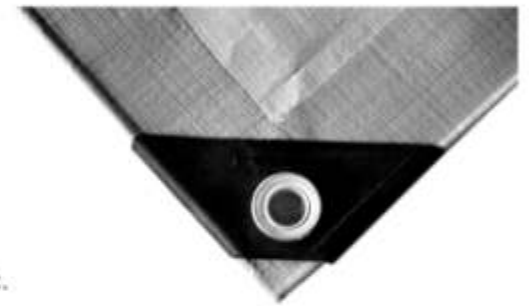
Steel, Brass, Aluminum

FINISH:

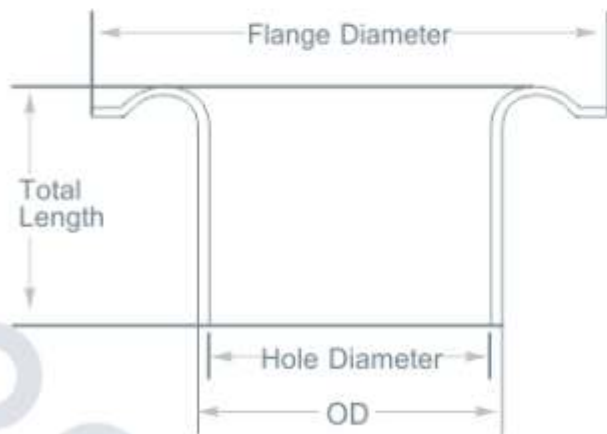
Nickel, Brass, Natural, Zinc

STARTING METAL THICKNESS:

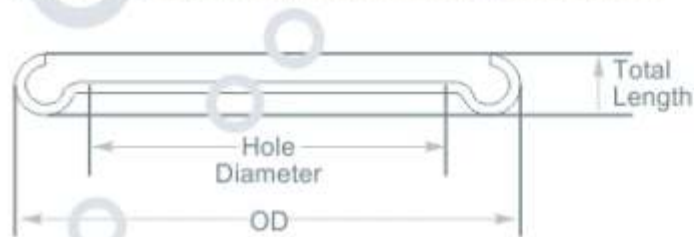
0.30,0.20



TARPAULIN EYELETS



TURN OVER WASHER FOR TARPAULIN EYELETS



TARPAULIN EYELETS				
PRODUCT	O.D	HOLE DIAMETER	FLANGE DIAMETER	T.H.T
24 No. TAE	10.0	8.5	17.8	6.0
28 No. TAE	12.6	12.0	23.0	7.0
30 No. TAE	15.5	15.0	28.5	8.0

TURN OVER WASHER FOR TARPAULIN EYELETS			
PRODUCT	O.D	HOLE DIAMETER	T.H.T
24 No. TAE	18.0	10.2	2.0
28 No. TAE	23.0	13.0	2.2
30 No. TAE	27.0	16.0	3.0